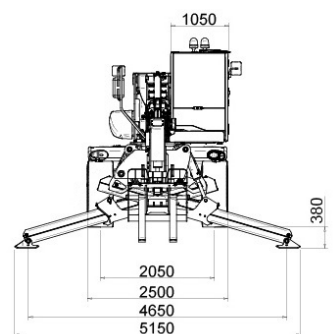
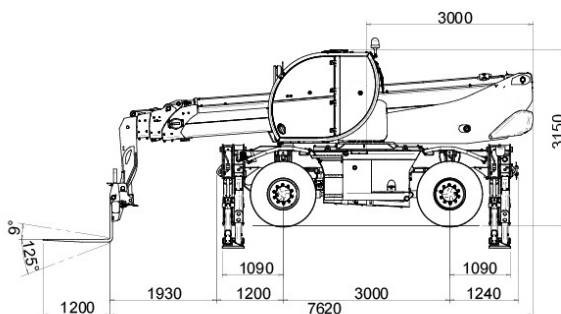
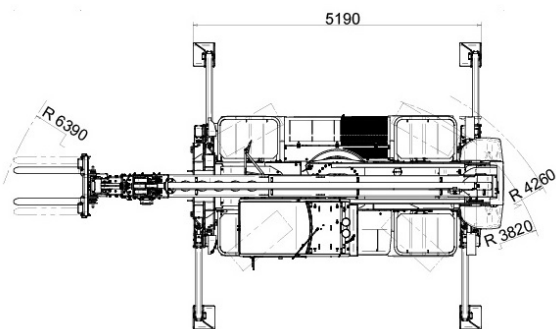
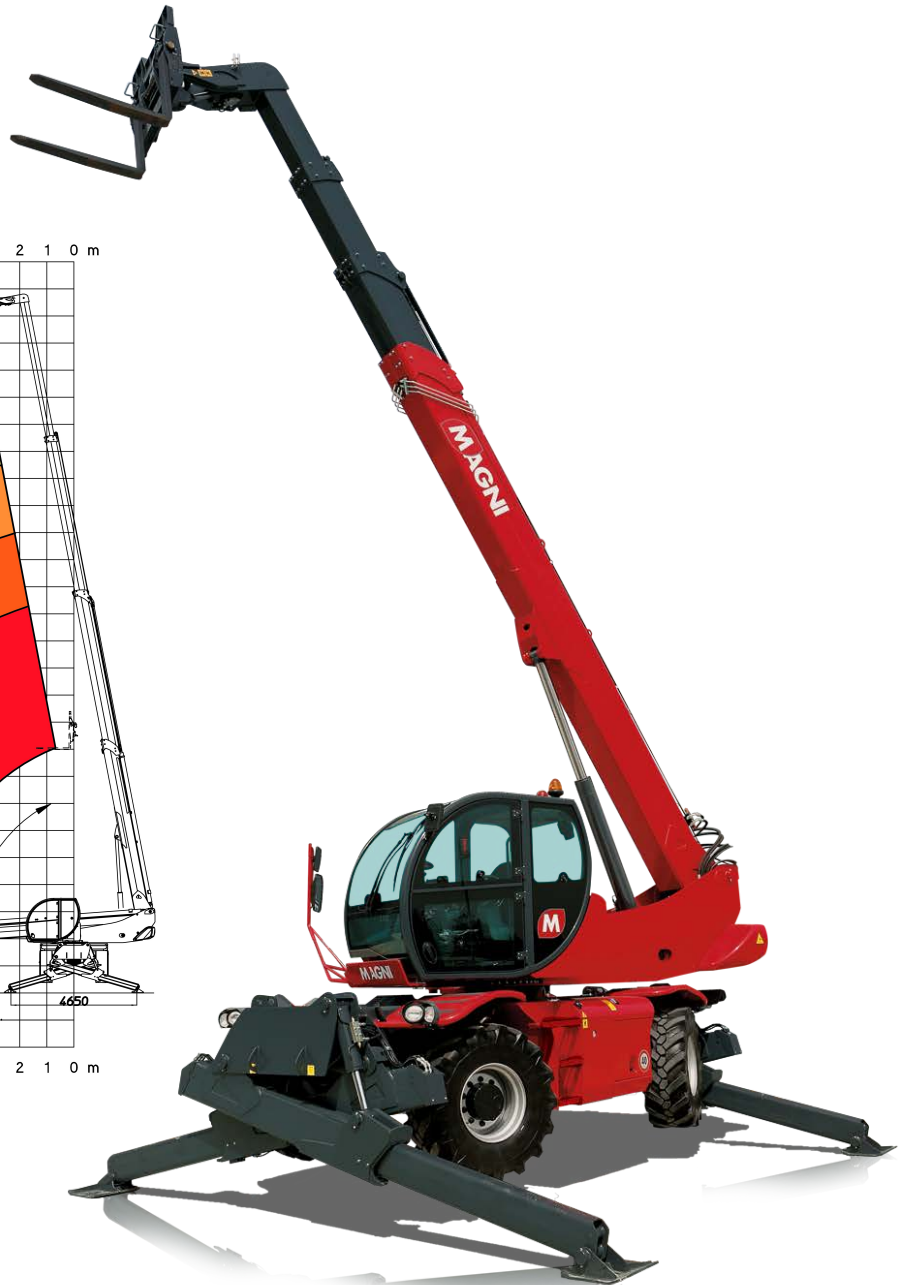
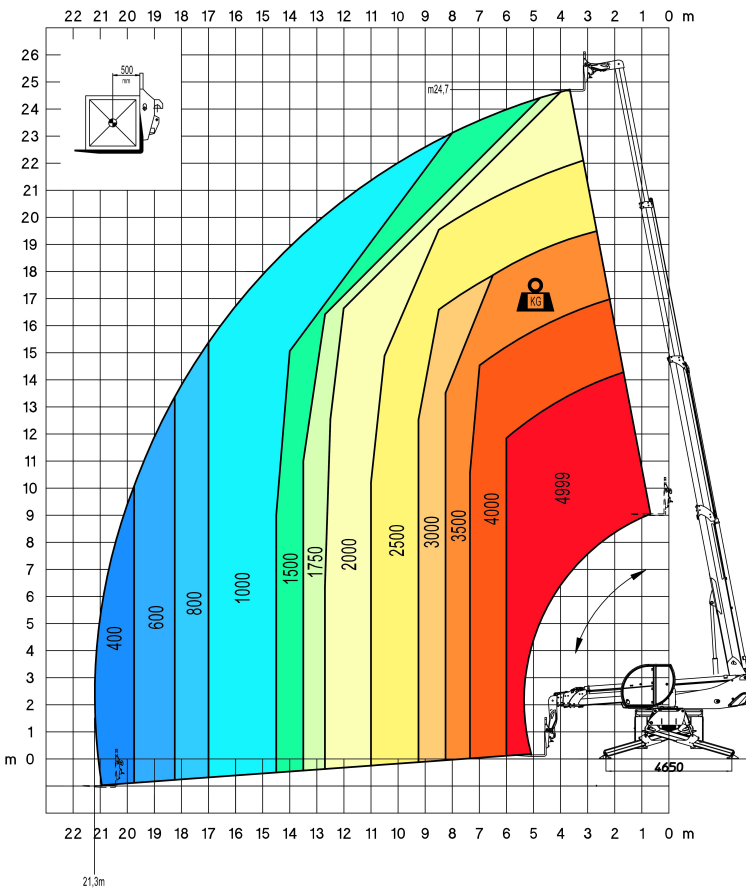


## RTH5.25 Smart S

Load chart forklift with fork



<b>MACHINE MODEL</b>	Rotating telescopic handler	RTH 5.25 Smart S
	Maximum lifting capacity	4.999 kg (center of gravity 500 mm)
	Maximum lifting height	24,70 m
<b>ENGINE</b>	Type	<b>DEUTZ TCD 3.6 L4 - stage IV</b>
	Rated power	100 KW - 136 HP at 2.200 rpm
	Maximum torque	500 Nm at 1.600 rpm
	Displacement	3,6 l
	Cylinders	4 in line
	Fuel	Diesel direct injection turbocharged
	Cooling system	Water – intercooler
<b>TRANSMISSION</b>	Type	Hydrostatic
	Model	Bosch – Rexroth
	Maximum pressure	500 bar
	Displacements	Variable displacement pump electronically controlled Variable displacement motor
	Gear box	2 speeds forward-reverse
<b>AXLES AND BRAKES</b>	Total ratio	17,5 on each axle
	Rear axle	Oscillating and steering with hydraulic locking
	Front axle	Leveling, Steering
	Service brake	Hydraulically activated, oil-immersed multi-disc type on each axle
	Parking brake	Hydraulic with negative action
	Tyres dimensions	18x22,5
<b>PERFORMANCE</b>	Max. travel speed	40 km/h
	Drawbar pull	70 kN
	Gradeability	40%
	Turning radius (end of forks)	6.390 m
<b>WEIGHTS</b>	Total unladen	17.680 kg
	Front axle unladen (boom retracted and lowered)	8.200 kg
	Rear axle unladen (boom retracted and lowered)	9.480 kg
<b>TANKS CAPACITIES</b>	Fuel tank	165 l
	Hydraulic oil tank	180 l
	Engine oil tank	8 l
	Cooling liquid	23 l
<b>HYDRAULIC CIRCUIT</b>	Max. operating system pressure	350 bar
	Circuit type	Load sensing
	Service pump	Bosch Rexroth – Variable displacement
	Controls for boom and turret movements	Sauer Danfoss – Electroproportional valve SIL 2
	Controls for stabilizers	Bosch Rexroth – Electro-hydraulics controls
	Movements control	2 joystick Sauer Danfoss with two shafts with dead man safety device Management with CAN bus technology
<b>DIMENSIONS</b>	Max. length (boom retracted and lowered)	7.620 mm (at vertical point of forks foothold)
	Max. width	2.500 mm (on wheels)
	Max. height (boom retracted and lowered)	3.150 mm (on wheels)
	Wheel base	3.000 mm
	Ground clearance	330 mm
<b>CONFORMTY TO STANDARDS</b>	EN 13849: concerning the safety of all controls of the machine EN 280: concerning the standard of aerial platforms FOPS/ROPS 97/68/CE: concerning engine emissions standards	

The data in this brochure are informative and subject to change without notice